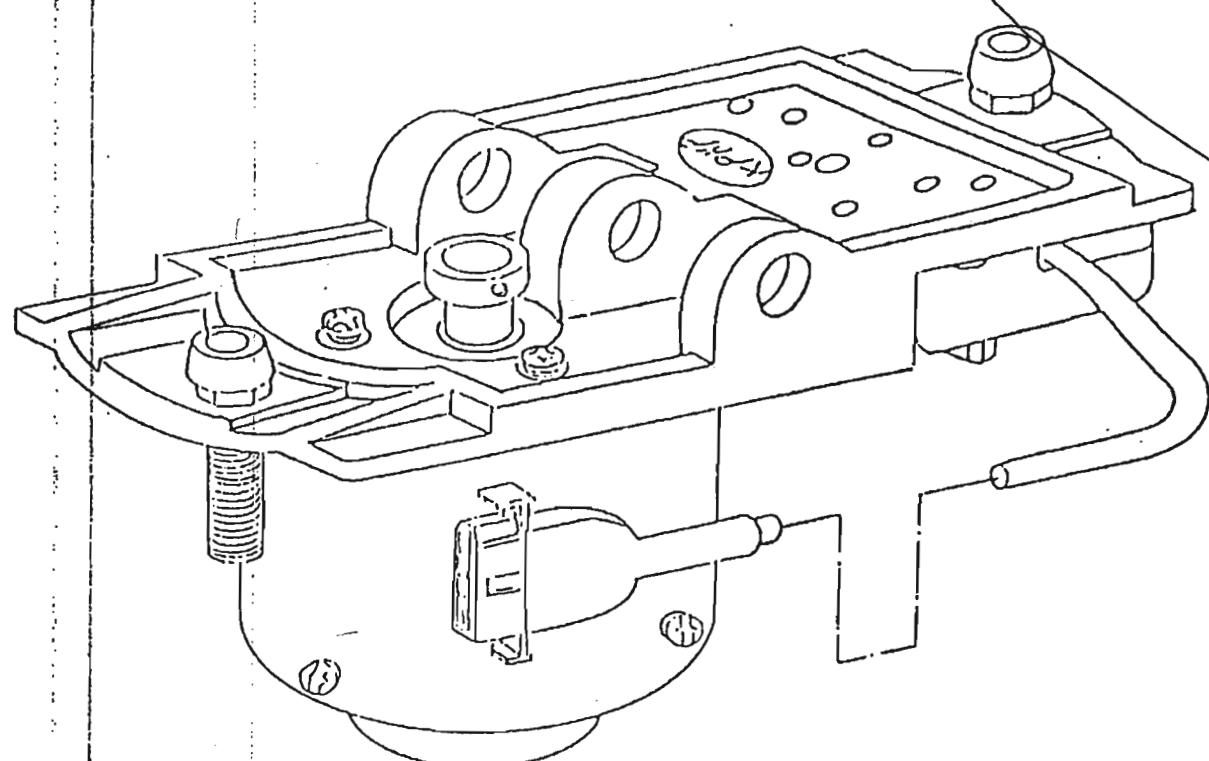


~~STARTER SOLAR~~
~~STARTER~~

* BOTTOM cover
HELD w/ 2
Screws
PIECE OF
RUBBER



AK-20

KF-20 : PRESSER LIFTING SOLENOID COMPONENTS.
(SPECIAL ORDER PARTS)

REF.	PART NO.	DESCRIPTION	QUANTITY
NO. 1	0670-0800	ELECTRIC WIRE	1
2	0670-2700	PRESSER LIFTING SOLENOID ASM	1
3	1102-0078	PRESSER LIFTING SHAFT $\phi 11 \times 165$ mm..	1
4	1405-0090	CORD HOLDER.....	1
5	1405-2320	2 POLE RECEPTABLE INSTALLING BASE	1
6	1405-4280	ADJUSTED SHAFT $\phi 7 \times 100$ mm.....	1
7	1405-4290	ADJUSTED SHAFT $\phi 4 \times 100$ mm.....	1
8	1601-3350	SOLENOID INSTALLING BRACKET.....	1
9	1605-2281	PRESSER LIFTING COVER.....	1
10	3706-1050	PRESSER LIFTING STOPPER.....	2
11	3904-0070	SCREW M4 X 0.7 X 12-2.....	2
12	3905-0007	SCREW M5 X 0.8 X 16-2.....	3
13	3008-0125	NUT M8 X 1.25.....	2
14	4903-008C	SCREW M4 X 0.7 X 8-1.....	6
15	5152-0010	DIODE 3A.....	1
16	6008-1000	RESISTOR 100HM 10W.....	1
17	8809-9320	3 POLE TERMINAL BLOCK.....	1